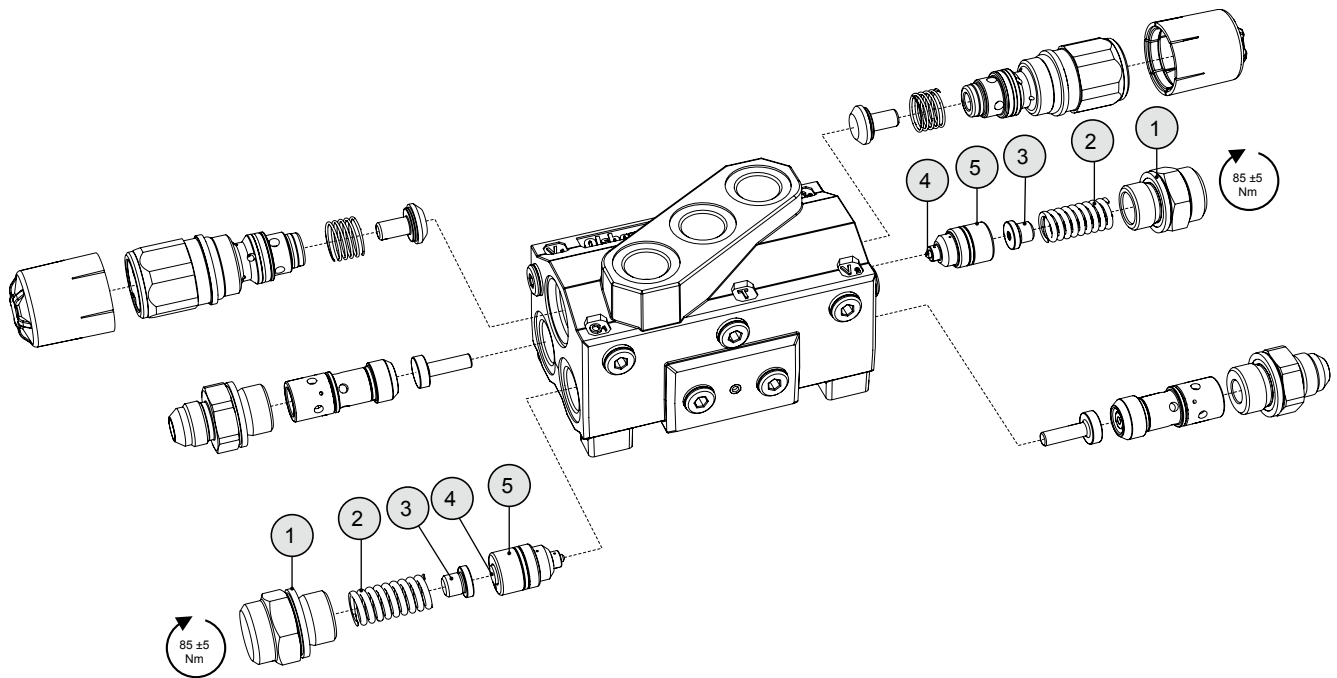


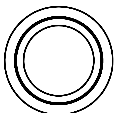
Check valve kit DLC

Fits: All DLC slewing valve

Consumption: 2 kits per valve



Contains



① 1 x Sealing washer tredo G 1/2"



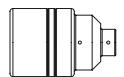
② 1 x Compression spring L = 40,5



③ 1 x Carrier sleeve



④ 1 x Pilot piston Ø 8



⑤ 1 x Check valve Ø 18

Check valve kit DLC