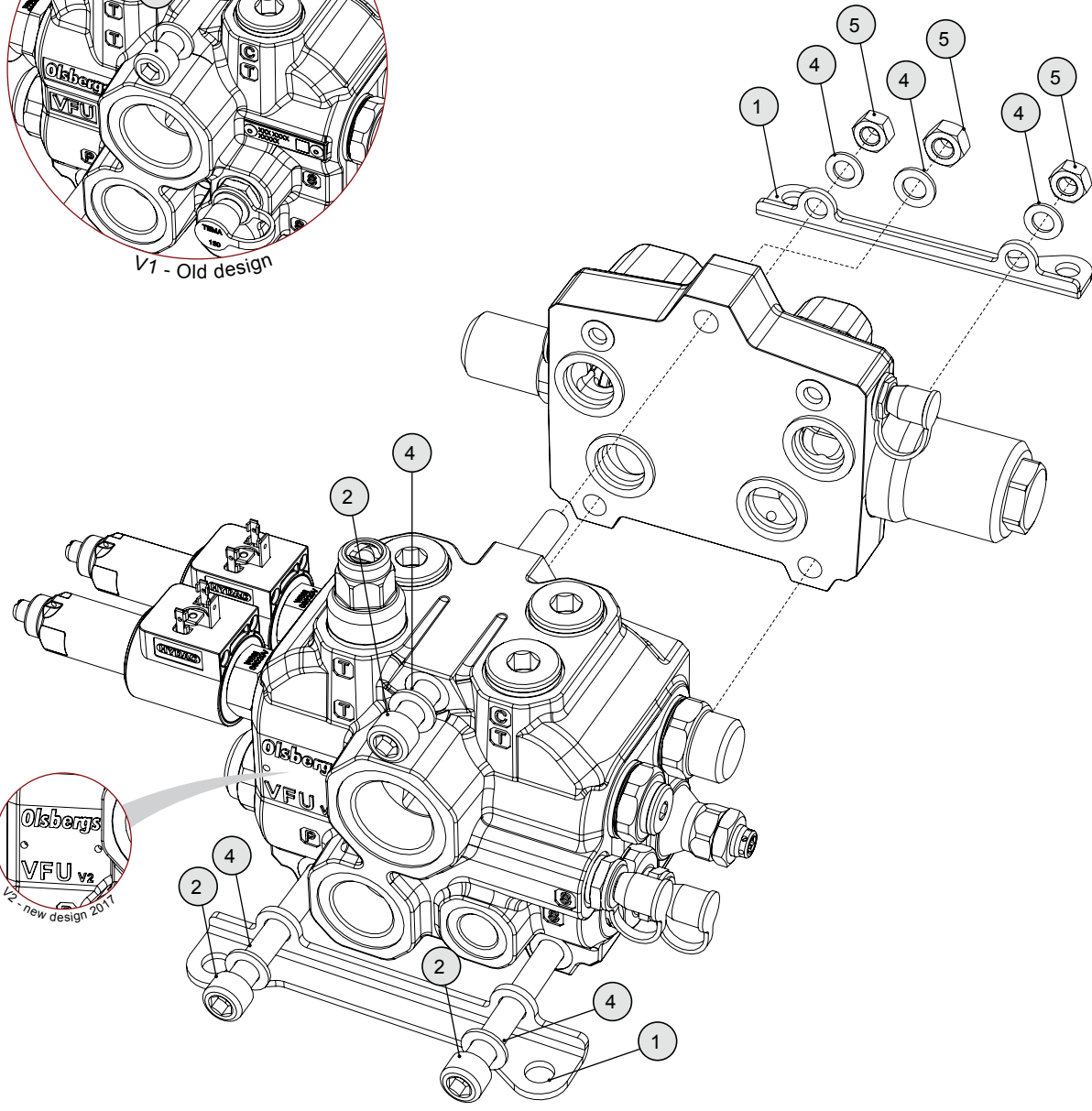
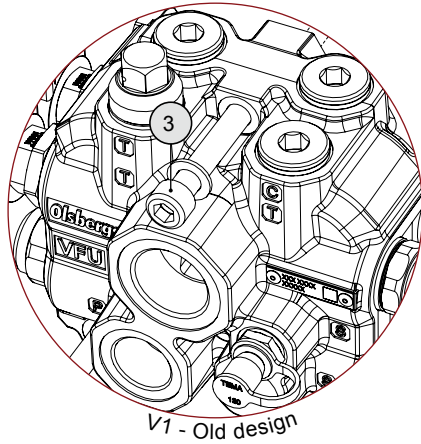


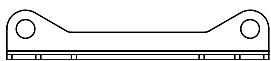
Assembly kit FE2

Fits: Supply unit with inlet section VFU and outlet section RF

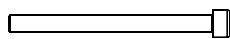
Consumption: 1 kit per supply unit



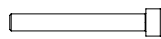
Contains



① 2 x Mounting plate L = 154



② 3 x Screw M10x130



③ 1 x Screw M10x90



④ 6 x Washer Ø 10,5



⑤ 3 x Hexagon nut M10