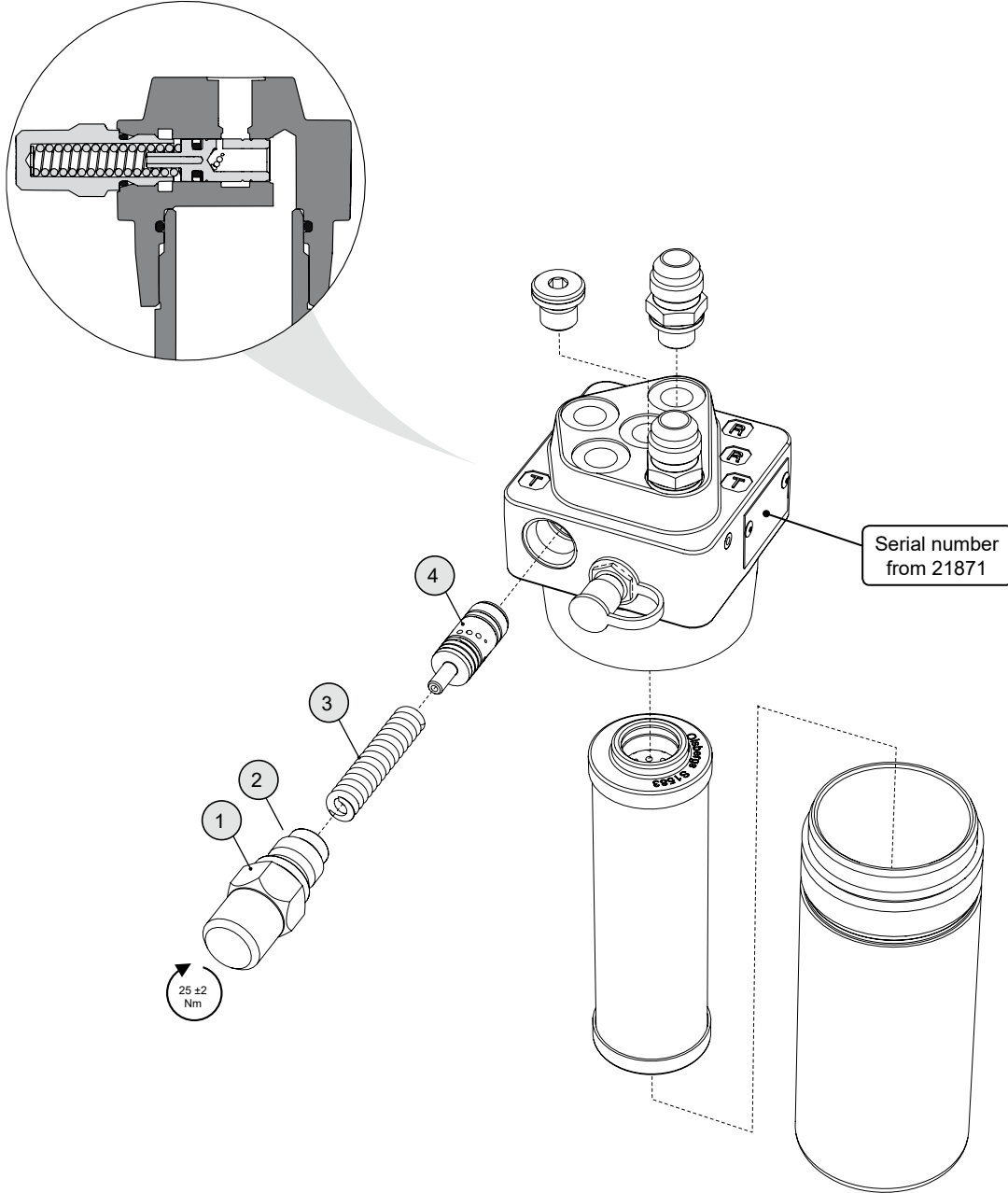


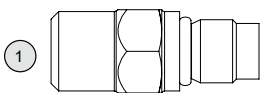
## Piston kit PRF T2

**Fits:** Pressure reducer/filter PRF with serial number from 21871

**Consumption:** 1 kit per PRF unit



### Contains



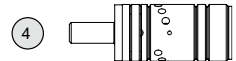
1x Spring housing G 3/8"



1 x Shim ring Ø 5, H = 1



1 x Compression spring L = 58



1 x Piston T2 Ø15

## Piston kit PRF T2