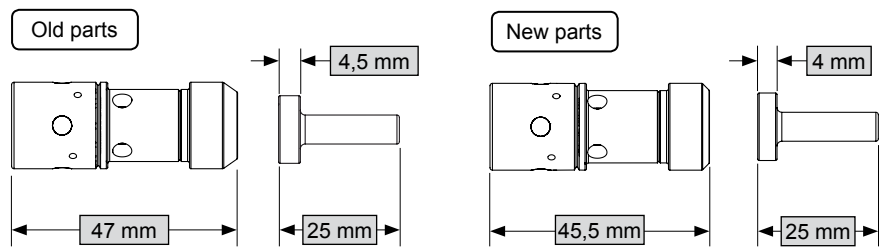
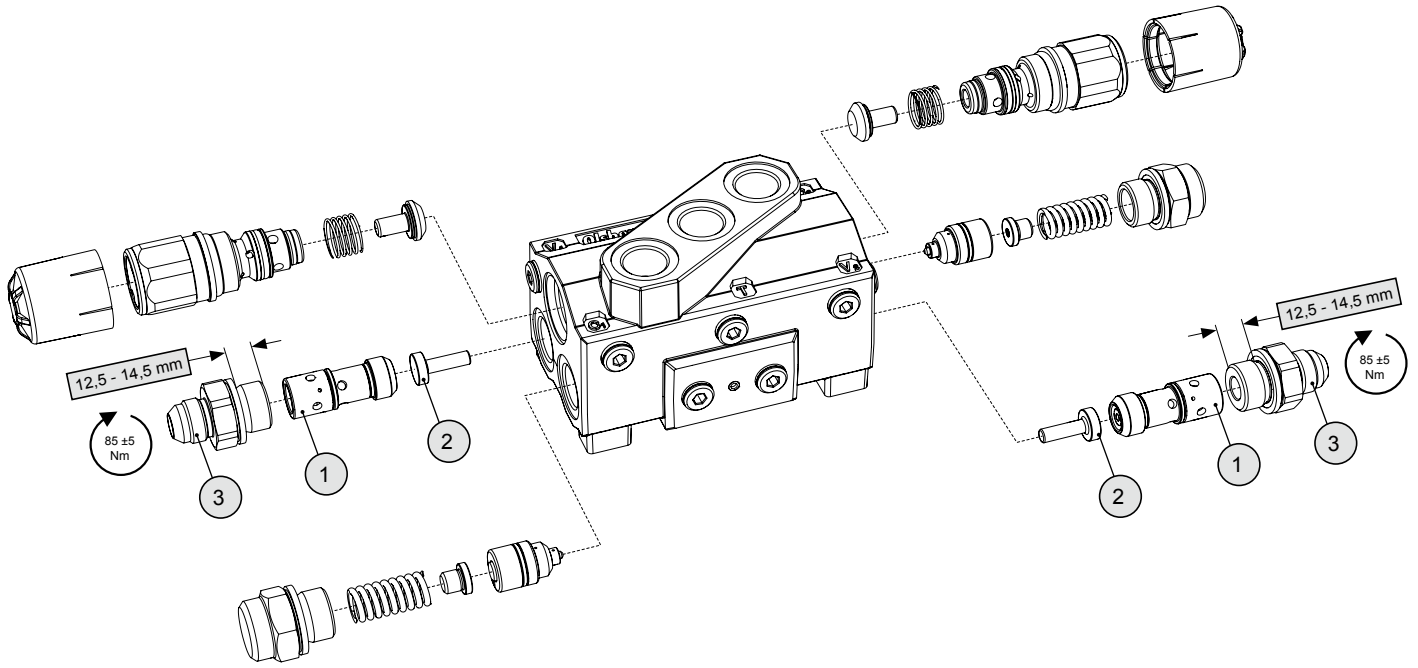


# Pilot piston and pusher DLC

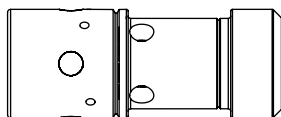
**Fits:** All DLC slewing valves

**Consumption:** 2 kits per valve

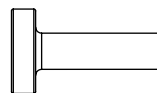


Old pilot piston and pusher are replaced by new models to enable use of different adapters (1) with adapter depth from 12,5 to 14,5 mm.

## Contains



① 1 x Pilot piston Ø 18



② 1 x Cone valve Ø 14