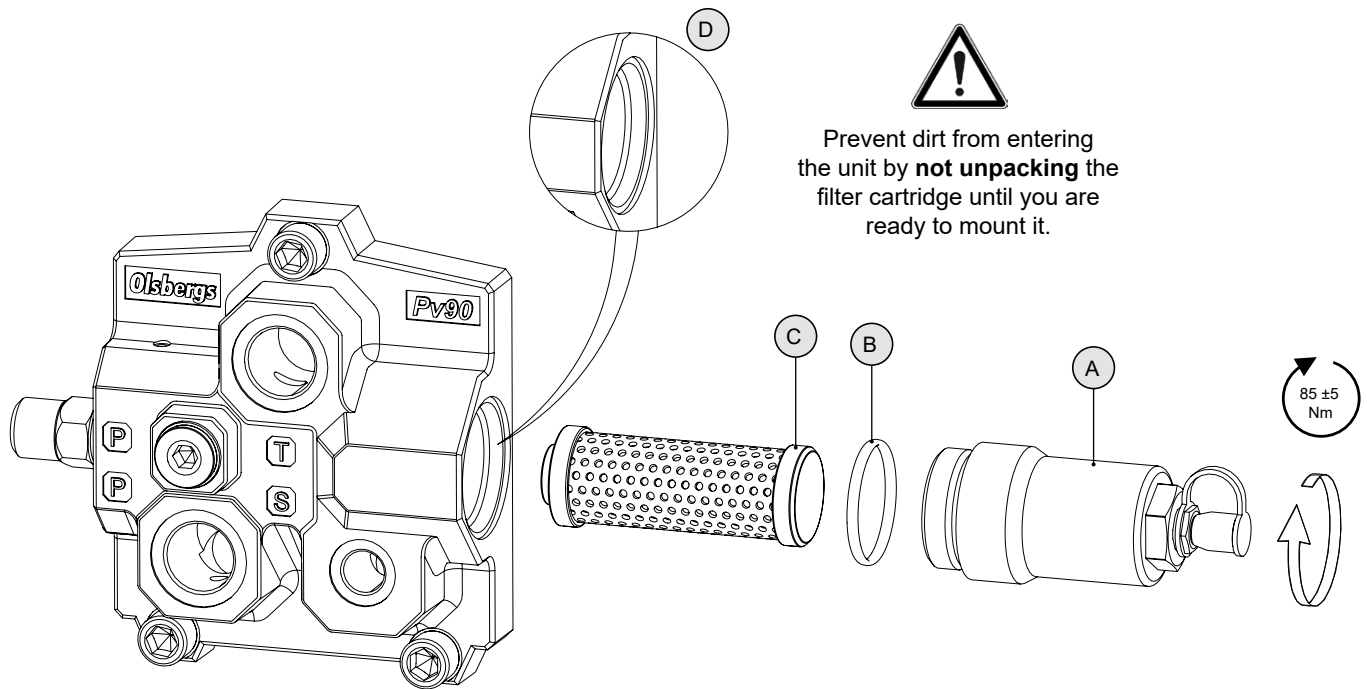


## Filter cartridge

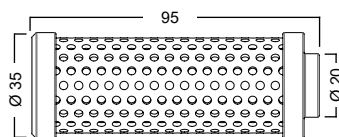
**Fits:** Inlet section with internal pressure reducer for Pv90

**Consumption:** 1 filter per inlet section

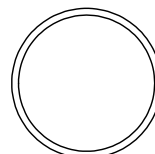


1. Carefully clean the filter cover (A) and the area (D) on the housing.
2. Remove the filter cover (A) using a 27mm wrench.
3. Remove the old o-ring (B) and replace it with the supplied one (oil it before assembly).
4. Remove the old filter cartridge (C).
5. Unpack the new filter cartridge, make sure it's clean and mount it.
6. Remount the filter cover and tighten it, torque  $85 \pm 5$  Nm.

### Contains



1 x Filter cartridge



1 x O-ring Ø39,2

## Filter cartridge