

Combined pressure reduction unit and servo filter.

Pressure reduction valve

Compact design with adjustable setting.

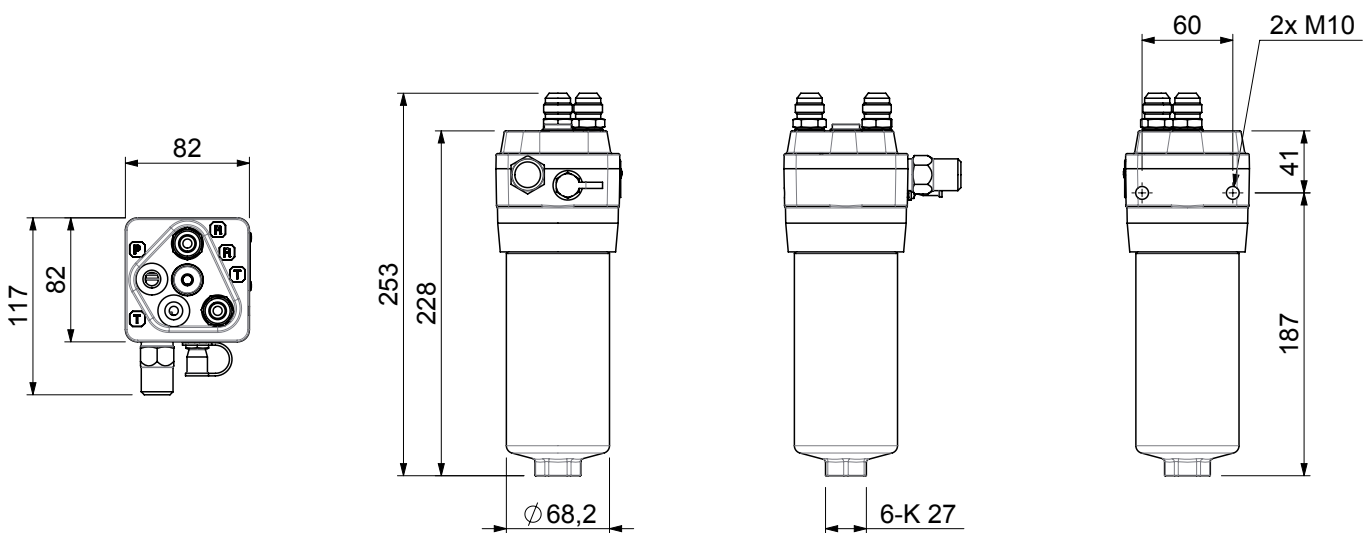
Durable filter cartridge with a long life cycle

The filter cartridge with filtration grade 10 micron have high dirt removal capacity and can withstand $\Delta P, P = 20.0 \text{ MPa}$ (200 bar). Since the filter is only exposed to reduced pressure, the safety margin for filter blasting is at least 5 times, which means that bypass function is not necessary.

This in turn means that unfiltered oil can never pass even if the filter becomes completely clogged. When the cartridge is "full" the pressure level drops automatically and thereby indicates filter change.



Dimensions:



Technical data:

Valve function: Pressure reducing valve
Design: Combined pressure reduction unit and servo filter
Connections: Pump supply G1/4", Tank G1/4", Reduced G1/4"
Filter cartridge: 10 micron

Flow (to servo): Max. 10 l/min
Servo pressure: Setting 1,5-3,5 MPa (15-35 Bar)
Max. pump pressure: 45,0 MPa (450 bar)

Olsbergs Hydraulics AB

Box 17
SE-575 21 Eksjö
Sweden
Phone: +46 (0)381 150 75

Olsbergs Electronics AB

Box 267
SE-186 24 Vallentuna
Sweden
Phone: +46 (0)8 511 858 50