

## Olsbergs hydraulic servo, Positioner H8



Olsbergs hydraulic servo, Positioner H8, has been developed based on demand from customers who want an alternative to traditional manual operated valves solutions with levers connected directly on the valve or via linkage system.

Hydraulic servos with hose or pipe connection allow for a more flexible position of the control valve on the machinery.

Olsbergs Positioner H8 is designed for Olsbergs control valves, the Q-series and Pv98 and they are pre-mounted on the valve at the factory.

Olsbergs provide foot pedals and joysticks on request.

### ***Olsbergs Positioner H8***

For detailed information about servo pressure vs stroke length of the spool see backside of this document.

### ***Sturdy design***

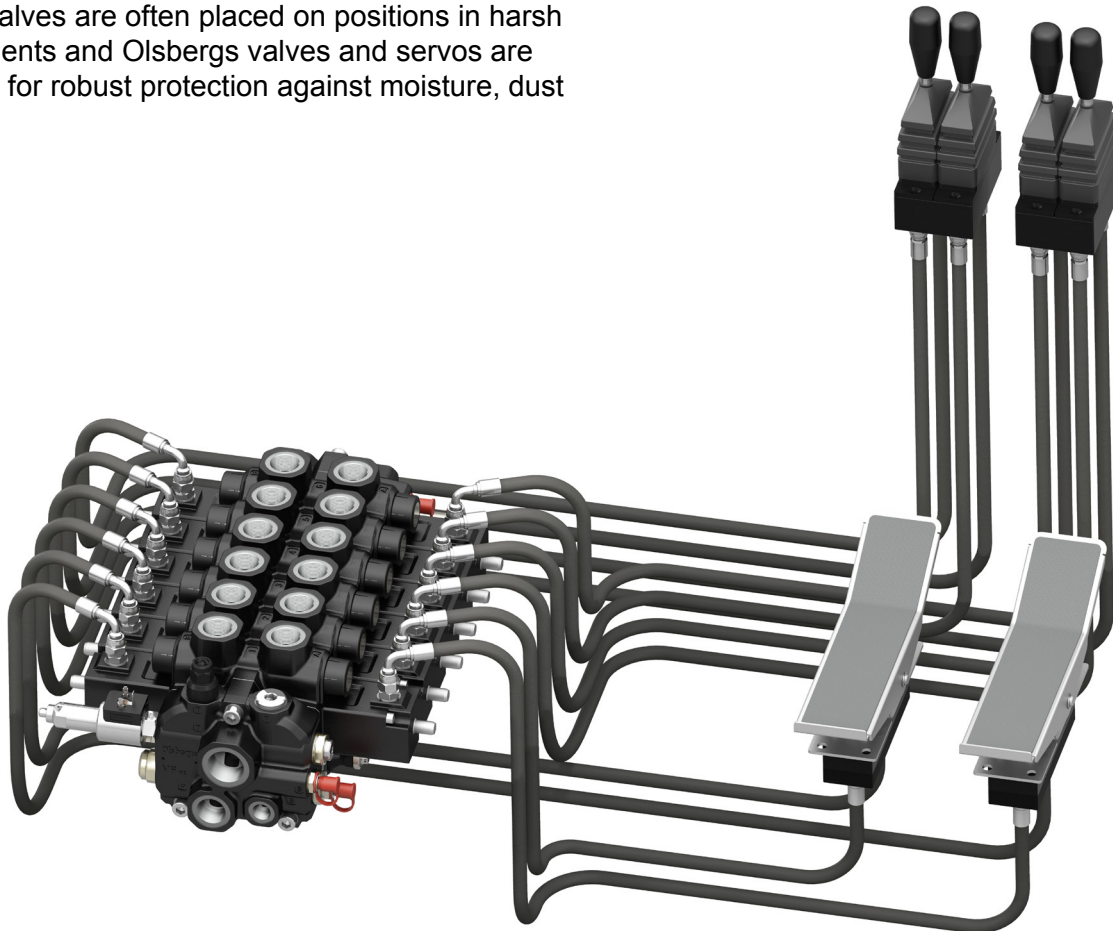
Control valves are often placed on positions in harsh environments and Olsbergs valves and servos are designed for robust protection against moisture, dust and dirt.



**Positioner H8 - standard**

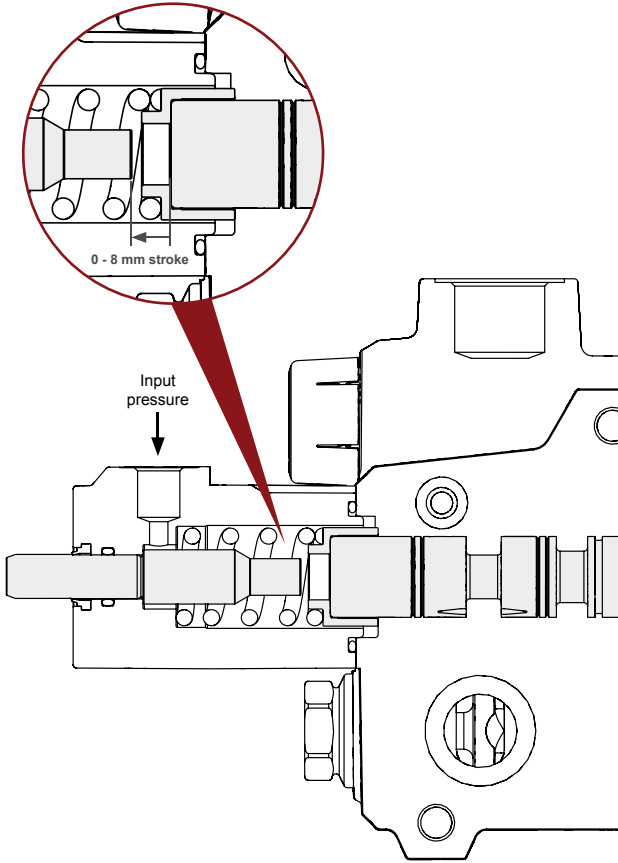


**Positioner H8 - with adjustable stroke length limiter**

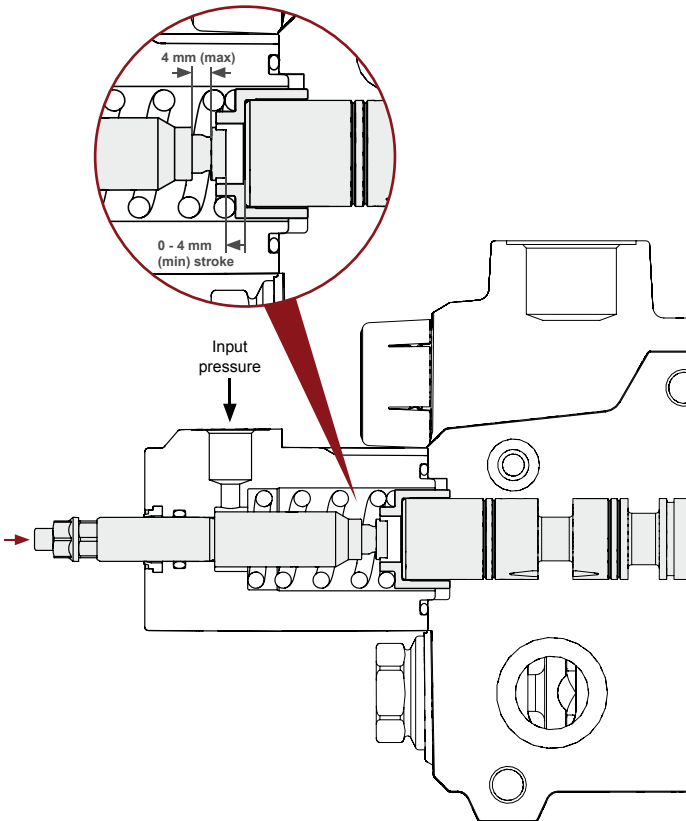
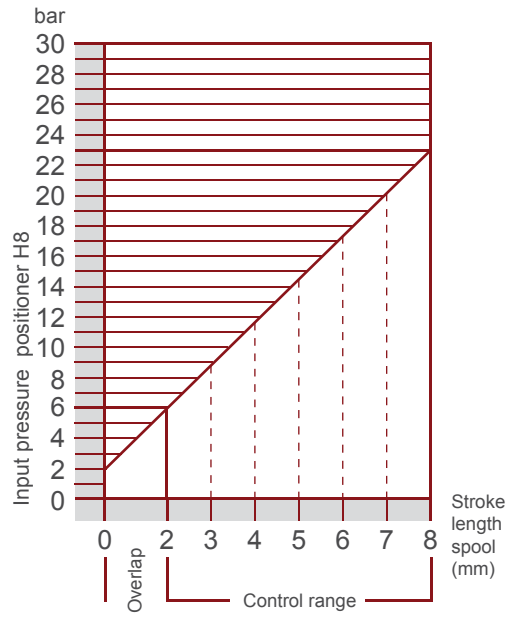


Olsbergs load-sensing, pressure compensated, proportional valve Q300 equipped with hydraulic servos, Positioner H8, and 4+2 hydraulic solution with joysticks and foot pedals.

# Olsbergs hydraulic servo, Positioner H8



Standard version



With adjustable stroke length limiter  
(Part no. P0290)

