

Mechanical feedback for precision

The positioner P8 is a small but very important unit in the Olsbergs control system.

The positioner consists of a proportional solenoid, a hydraulic servo and a patented mechanical feedback. This system secures the position of the valve spool within a few hundredths of a millimetre.

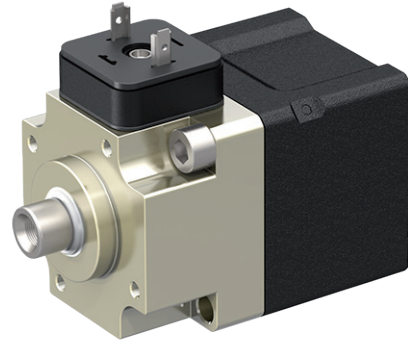
No influence of fluid forces

The position of the valve spool is not effected by fluid forces and therefore the movement of the spools is exactly proportional to the pulse width modulated current that is feed to the solenoid on the positioner.

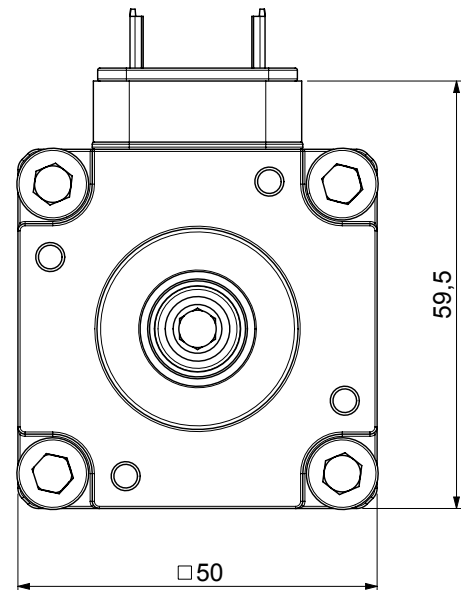
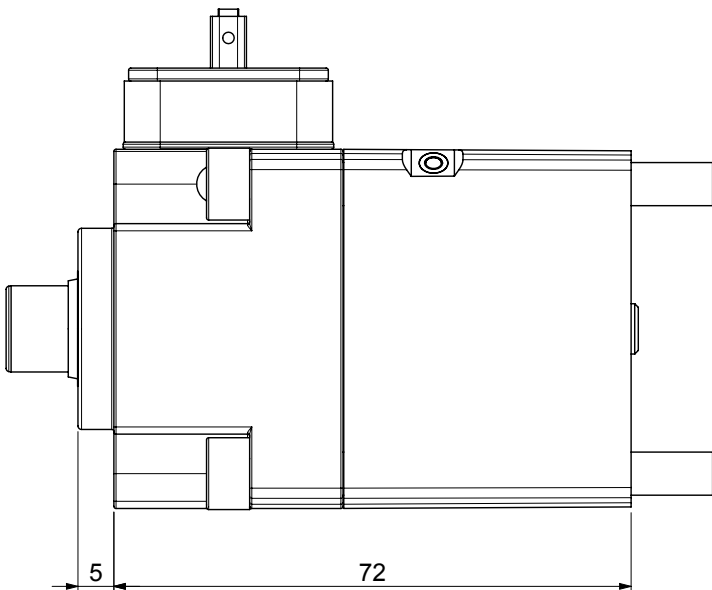
Interface between hydraulics - electronics

Positioner P8 is the interface between hydraulics and electronics in a remote controlled system. Digital

amplifiers, DA modules are connected to the positioners and the DA modules convert data from the controller to the pulse width modulated current that controls the valve spool.



Dimensions:



Technical data:

Voltage:	24 V
Control current:	0-500 mA
Spool stroke:	± 8 mm

Olsbergs Hydraulics AB

Box 17
SE-575 21 Eksjö
Sweden
Phone: +46 (0)381 150 75

Olsbergs Electronics AB

Box 267
SE-186 24 Vallentuna
Sweden
Phone: +46 (0)8 511 858 50