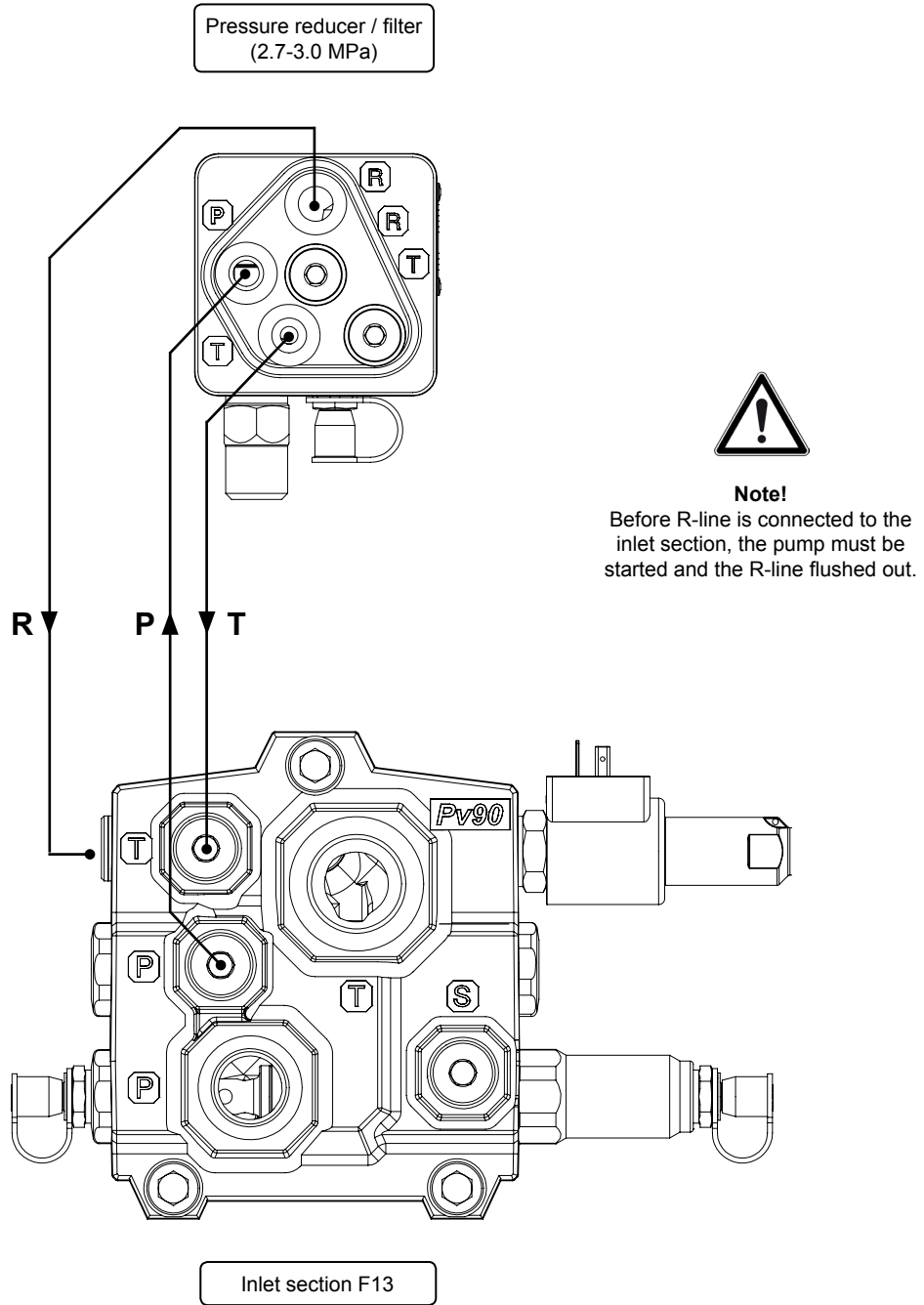


Inlet section F13 + PRF

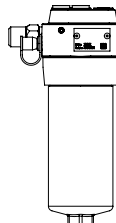
Fits: Valve PV90

Consumption: 1 kit per valve

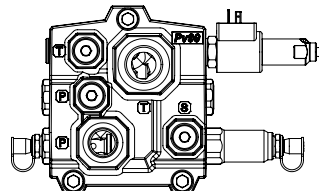


Connect the hoses as shown in the illustration.

Contains



1 x Pressure reducer / filter (2.7-3.0 MPa)



1 x Inlet section F13

Inlet section F13 + PRF