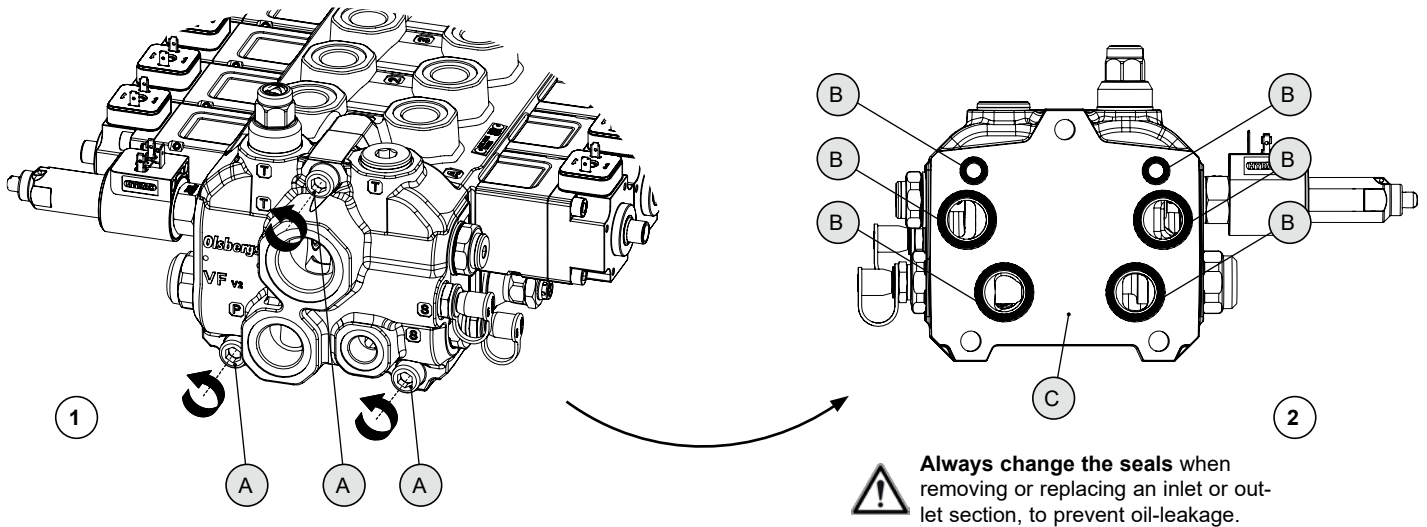


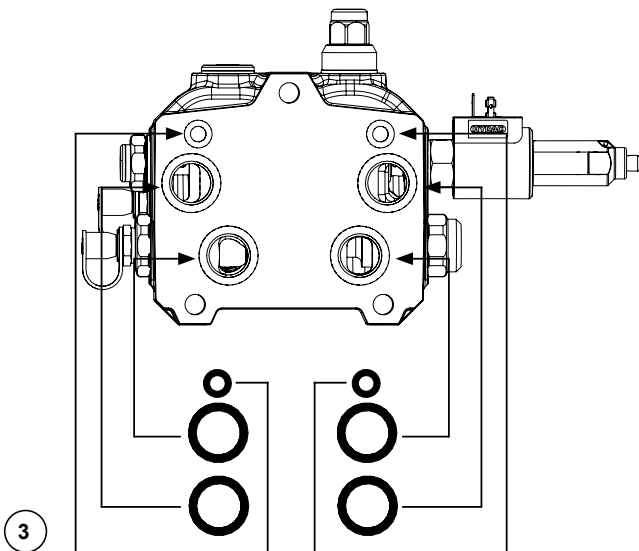
Seal kit in- and outlet section

Fits: All in- and outlet sections for Q-series and Pv91M

Consumption: 1 kit per in- or outlet section

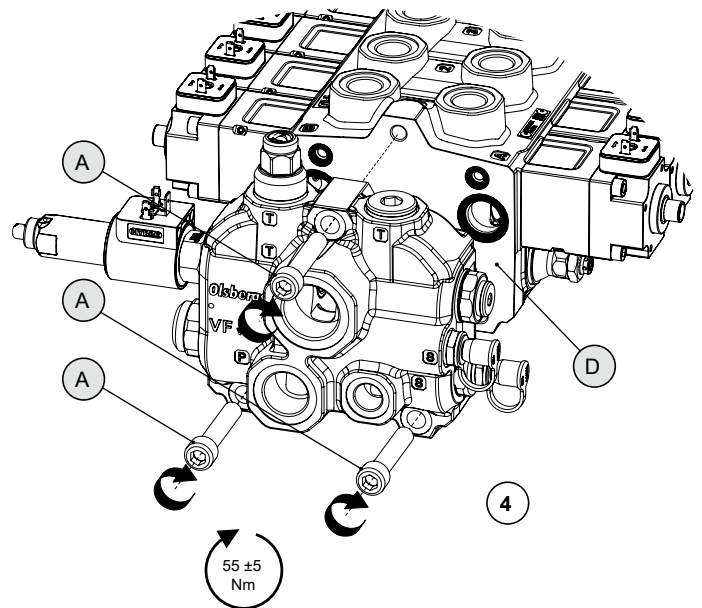


Always change the seals when removing or replacing an inlet or outlet section, to prevent oil-leakage.



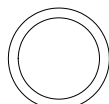
Note!

On some in- and outlet section you will only need the four square rings due to the missing servo pressure channels in the valve.



1. Clean up around the area you will be working in to avoid dirt in the components. Unscrew the three M10 bolts (A) using a 8 mm hexagon wrench or equivalent.
2. Remove the old seals (B) and clean the contact area (C), **make sure that there is no dirt or burrs left before reassembling.**
3. Insert the new seals that comes with the seal kit.
4. Clean the contact area on the valve (D), **make sure that there is no dirt or burrs left.** Mount a new or existing inlet- or outlet section and tighten all three M10 bolts (A) easily before tightening them with 55 ± 5 Nm using a 8 mm Allen torque wrench.

Contains



4 x Square ring \varnothing 23,39



2x O-ring \varnothing 9,19

Seal kit in- and outlet section