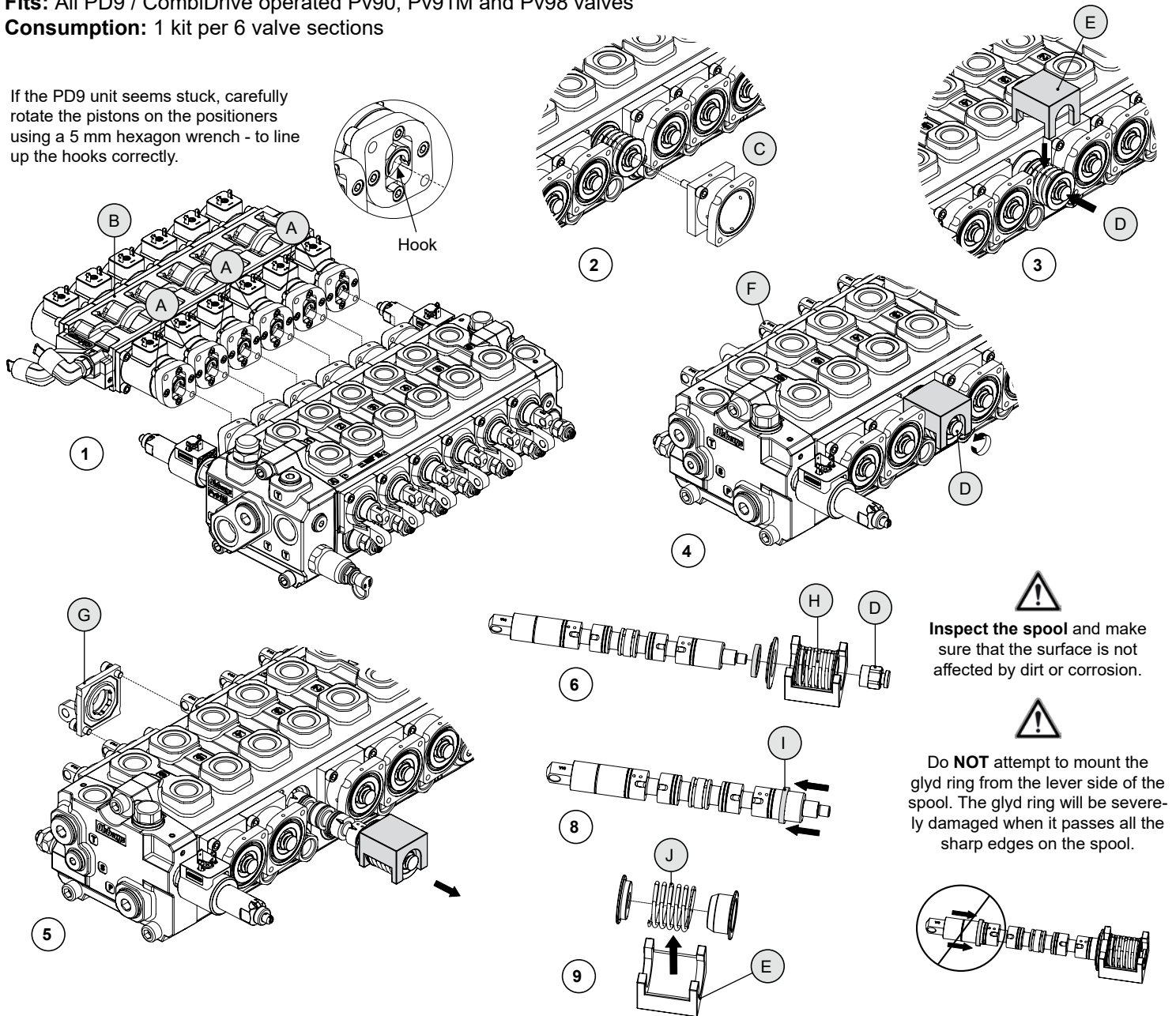


Spring set x6

Fits: All PD9 / CombiDrive operated Pv90, Pv91M and Pv98 valves

Consumption: 1 kit per 6 valve sections

If the PD9 unit seems stuck, carefully rotate the pistons on the positioners using a 5 mm hexagon wrench - to line up the hooks correctly.



Inspect the spool and make sure that the surface is not affected by dirt or corrosion.

Do NOT attempt to mount the glyd ring from the lever side of the spool. The glyd ring will be severely damaged when it passes all the sharp edges on the spool.

1. Unscrew the M6 bolts (A) (2 per valve section), lift and pull out the PD9 unit (B).
2. Dismount the cover (C) on the spring side of the spool using a 5mm hexagon wrench.
3. Press on the spring bolt (D) to push the spool into it's end position and mount the spring holder (E) (can be bought separately) over the centering spring.
4. Hold the spool end (F) and use a 17mm socket wrench to loosen the spring bolt (D).
5. Dismount the console (G), then carefully pull the spool out from the valve body.
6. Unscrew the spring bolt (D) and separate the spring package (H) from the spool.
7. It is recommended to also change the seals and glyd rings while doing this operation. Seals and glyd rings can be bought separately depending on wich spring you will be using.
8. Mount the new seal (I) on the spring side of the spool.
9. Compress the spring (J) by hand or with a fitting tool and remove it. Mount the new spring in the spring holder (E), in the same way as the old spring.

Contains



6 x Compression springs
(labeled yellow) Force 200-250 N

OR

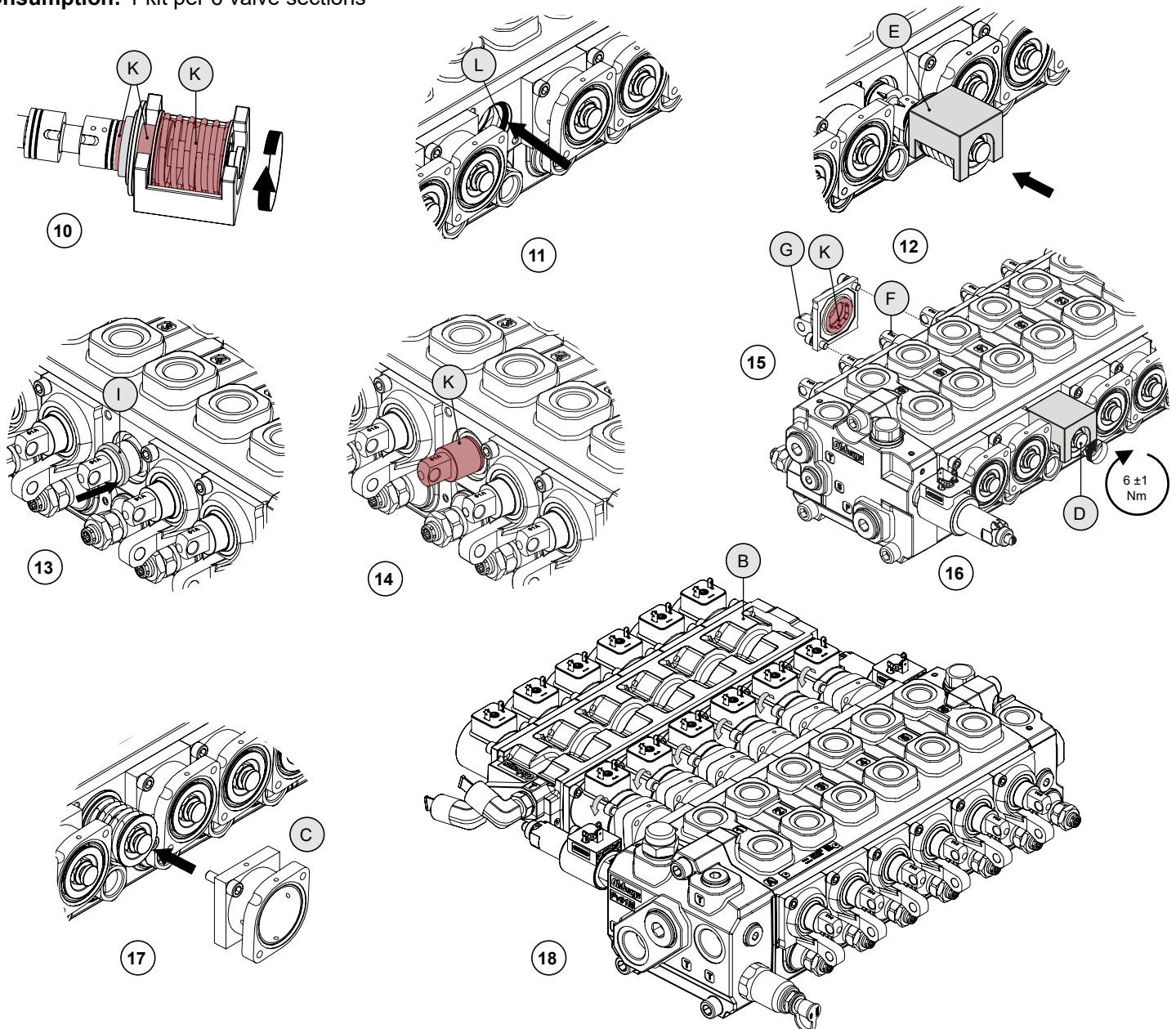


6 x Compression springs
(labeled orange) Force 250-291 N

Spring set x6

Fits: All PD9 / CombiDrive operated Pv90, Pv91M and Pv98 valves

Consumption: 1 kit per 6 valve sections



10. Remount the spring package and tighten the spring bolt by hand. Then place grease (Shell GADUS S3 A1300C 2 SRS 4000) (Can be bought separately) (K) on the spring package and around the spool on both sides of the seal.
11. If bought, place the new large o-ring (L) in the cavity on both sides of the valve.
12. Gently push the spool back into the valve.
13. Push the other new seal (I) onto the spool end.
14. Place grease (K) around the spool on both sides of the seal (I).
15. Place grease (K) inside the console (G) and remount it.
16. Hold the spool end (F) and tighten the spring bolt (D) with torque 6 ± 1 Nm, before removing the spring holder.
17. Remount the spring cover (C).
18. Repeat all steps on the remaining valve sections before remounting the PD9 unit (B).

Contains



6 x Compression springs
(labeled yellow) Force 200-250 N

OR



6 x Compression springs
(labeled orange) Force 250-291 N

Spring set x6