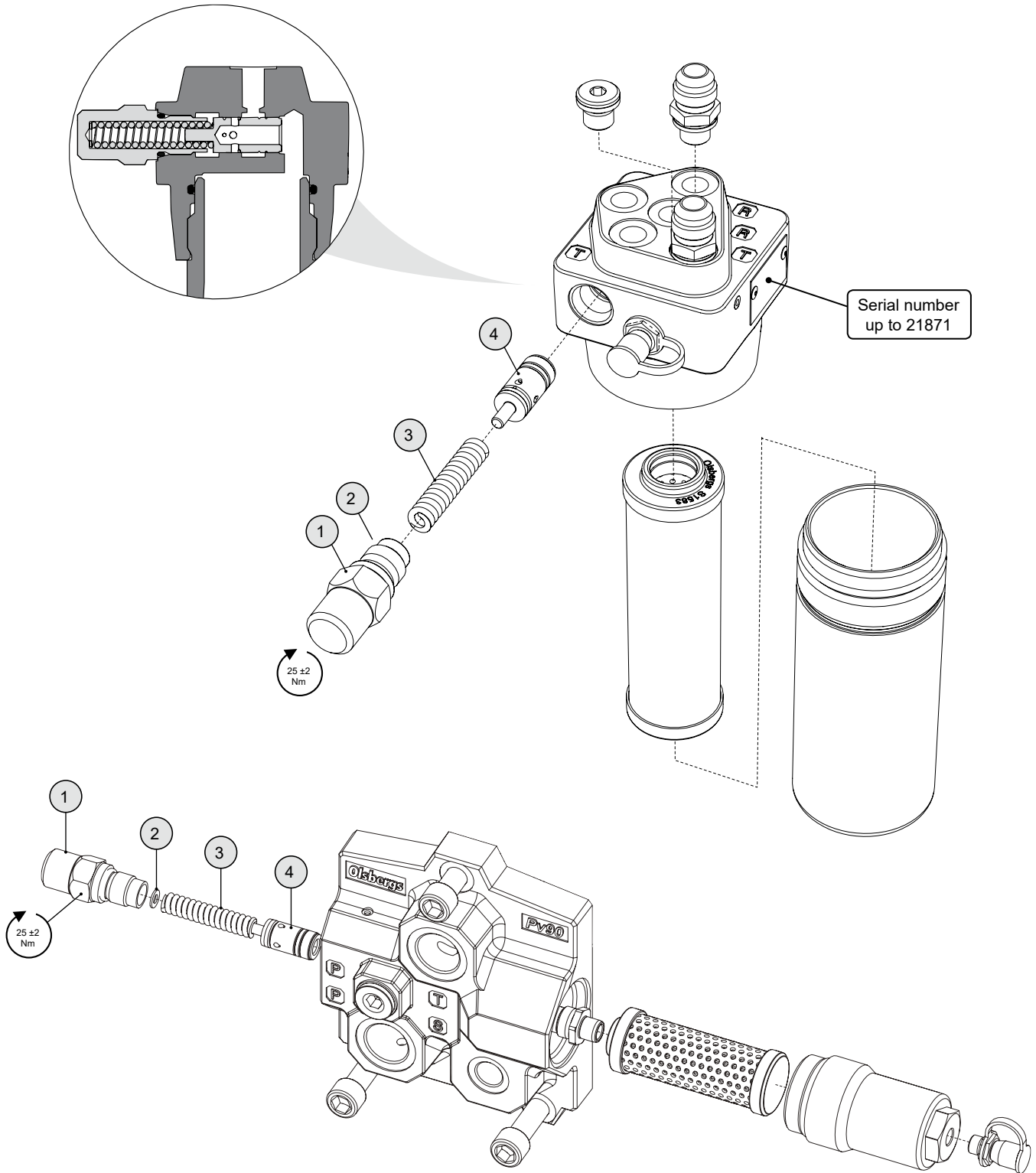


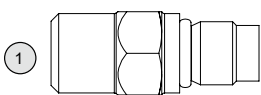
# Piston kit PRF T1

**Fits:** Pressure reducer/filter PRF with serial number up to 21871 and Inlet section with internal pressure reducer for Pv90

**Consumption:** 1 kit per PRF unit or 1 kit per inlet section



## Contains



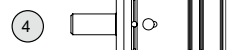
1x Spring housing G 3/8"



1 x Shim ring Ø 5, H = 1



1 x Compression spring L = 58



1 x Piston T1 Ø 15

## Piston kit PRF T1