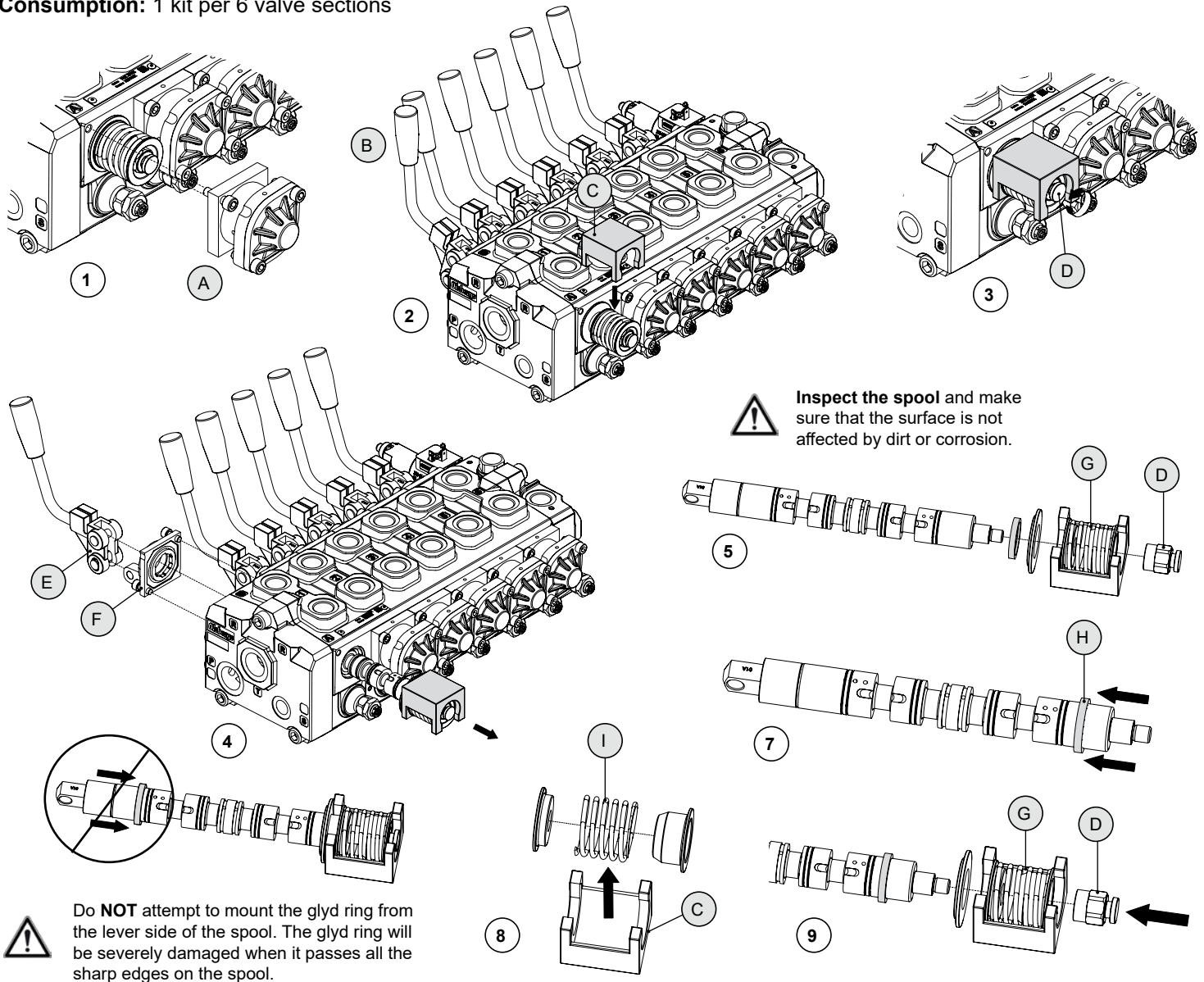


# Spring set x6

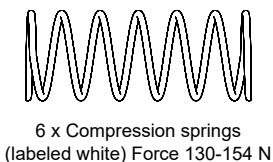
**Fits:** All manual operated Pv90, Pv91M, Pv98, Q200 and Q300 valves

**Consumption:** 1 kit per 6 valve sections

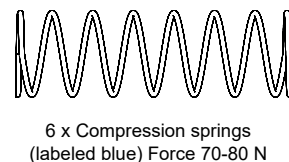


1. Dismount the cover (A) on the spring side of the spool using a 5mm hexagon wrench.
2. Press the lever (B) to push the spool into it's end position and mount the spring holder (C) (can be bought separately) over the centering spring.
3. Use a 17mm socket wrench to loosen the spring bolt (D).
4. Remove the lever link (E) and dismount the console (F), then carefully pull the spool out from the valve body.
5. Unscrew the spring bolt (D) and separate the spring package (G) from the spool.
6. It is recommended to also change the seals and glyd rings while doing this operation. Seals and glyd rings can be bought separately depending on wich spring you will be using.
7. Mount the new seal (H) on the spring side of the spool.
8. Compress the spring (I) by hand or with a fitting tool and remove it. Mount the new spring in the spring holder (C), in the same way as the old spring.
9. Remount the spring package (G) and tighten the spring bolt (D) by hand.

## Contains



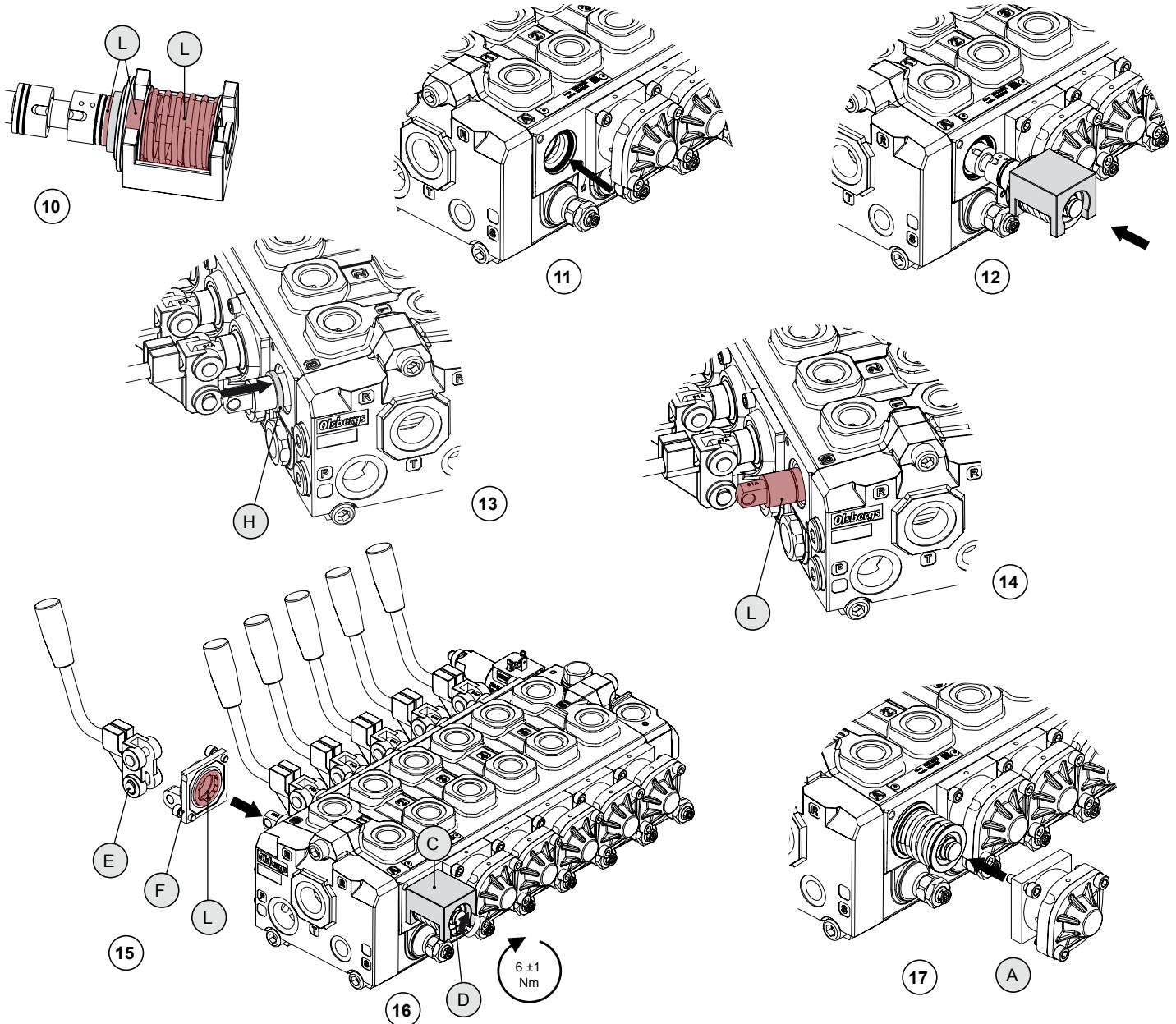
OR



## Spring set x6

**Fits:** All manual operated Pv90, Pv91M, Pv98, Q200 and Q300 valves

**Consumption:** 1 kit per 6 valve sections



10. Place grease (Shell GADUS S3 A1300C 2 SRS 4000) (Can be bought separately) (L) on the spring package and around the spool on both sides of the seal.
11. If bought, place the large o-ring in the cavity on both sides of the valve.
12. Gently push the spool back into the valve.
13. Push the other new seal (H) onto the spool end.
14. Place grease (L) around the spool on both sides of the seal and on the console.
15. Remount the console (F) and the lever link (E).
16. Tighten the spring bolt (D) with torque  $6 \pm 1$  Nm, before taking away the spring holder (C).
17. Remount the spring cover (A).
18. Repeat all steps on the remaining valve sections.

### Contains



6 x Compression springs  
(labeled white) Force 130-154 N

OR



6 x Compression springs  
(labeled blue) Force 70-80 N

## Spring set x6