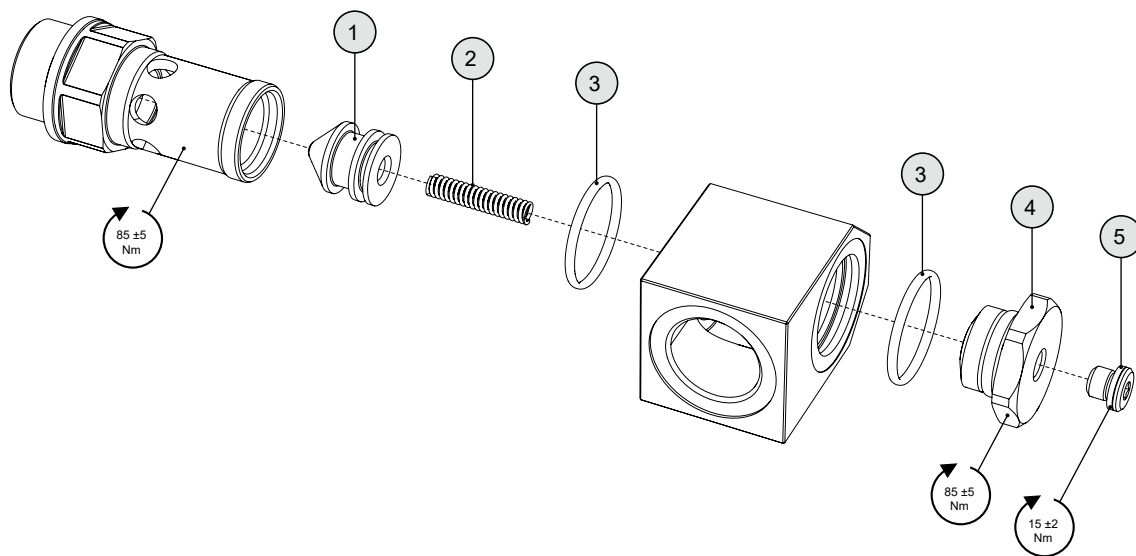


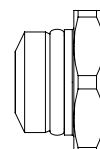
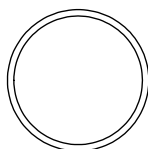
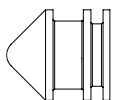
# Replacement kit R1

**Fits:** Check valve R1

**Consumption:** 1 kit per check valve



## Contains



① 1 x Cone valve  $\varnothing$  23,9

② 1 x Compression spring L = 53

③ 2 x O-ring  $\varnothing$  34,59

④ 1 x Plug G 3/4"

⑤ 1 x Plug G 1/8"

## Replacement kit R1